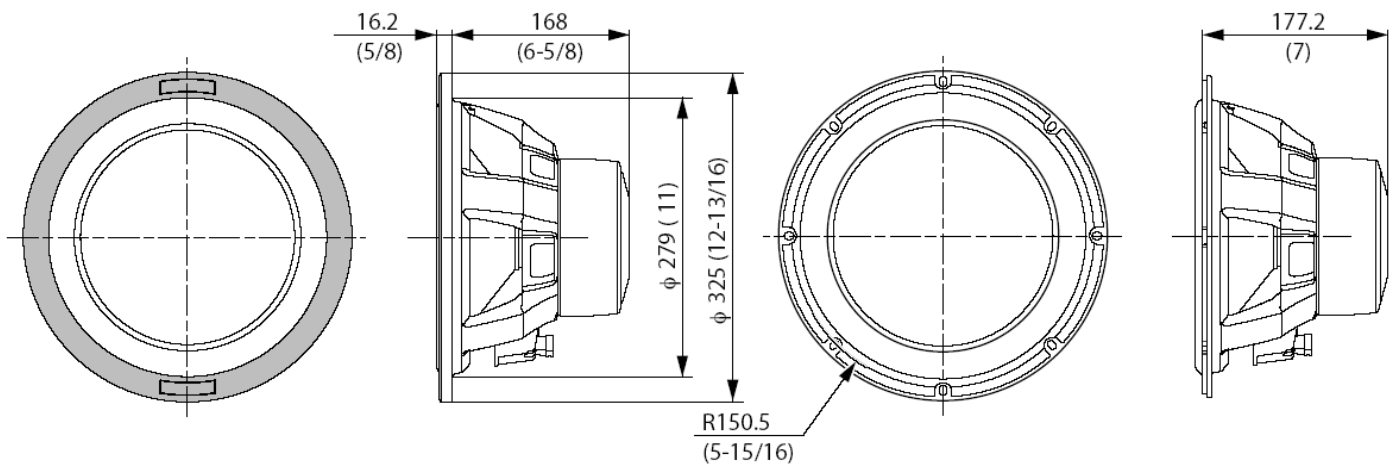


KFC-XW1222D / KFC-XW1224D

Specifications

	KFC-XW1224D	KFC-XW1222D
Subwoofer	300 mm (12") Carbon-Glass Fiber Cone	
Nominal impedance	4 Ω + 4 Ω	2 Ω + 2 Ω
Peak input power	1,000 W + 1,000 W	
RMS input power	300 W + 300 W	
Sensitivity	84 dB/W at 1 m	
Free air resonance	27 Hz	28 Hz
Frequency response	32 - 500 Hz	
Net weight	6,900 g	

Dimensions



Unit : mm (inch)
Unité : mm (pouces)
Unidad : mm (pulgada)
Unidade: mm (pol.)
الوحدة : مم (بوصة)

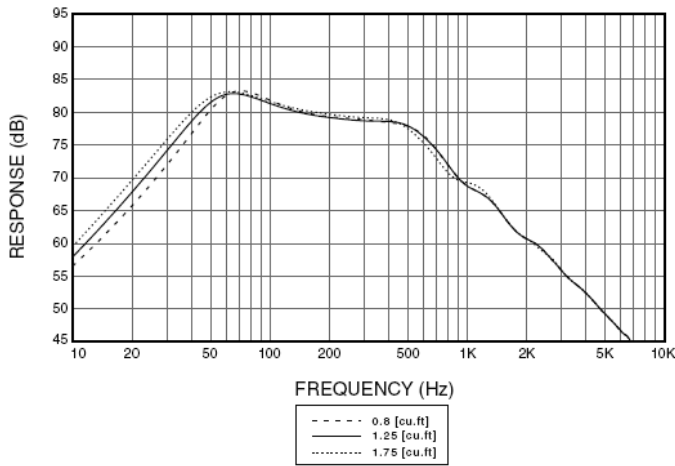
Technical specifications

	SYMBOL	UNIT	VALUE	
			KFC-XW1224D	KFC-XW1222D
Nominal impedance	Z	Ω	4 + 4	2 + 2
DC resistance	Revc	Ω	3 + 3	1.5 + 1.5
Voice coil inductance	Levc	mH	0.63	0.5
Piston area	Sd	sq.m	0.049	0.049
Force factor	BL	T.m	9.46	6.56
Volume acoustic compliance	Vas	Liters	63.77	61.03
		cu.ft	2.253	2.157
Moving mass	Mms	g	180.1	176.8
Resonance frequency	Fs	Hz	27.4	28.3
Mechanical Q factor	Qms		4.448	5.813
Electrical Q factor	Qes		0.52	0.55
Total Q factor	Qts		0.47	0.50
Peak power		W	1,000 + 1,000	1,000 + 1,000
Peak excursion	Xmax	mm	7.7	5.9
Displacement		cc	3,030	3,030
		cu.ft	0.107	0.107
Mounting depth		mm (in.)	168 (6-5/6)	168 (6-5/6)
Weight of magnet		g (oz)	2,420 (85.2)	2,420 (85.2)
Voice coil diameter		mm (in.)	65 (2-9/16)	65 (2-9/16)

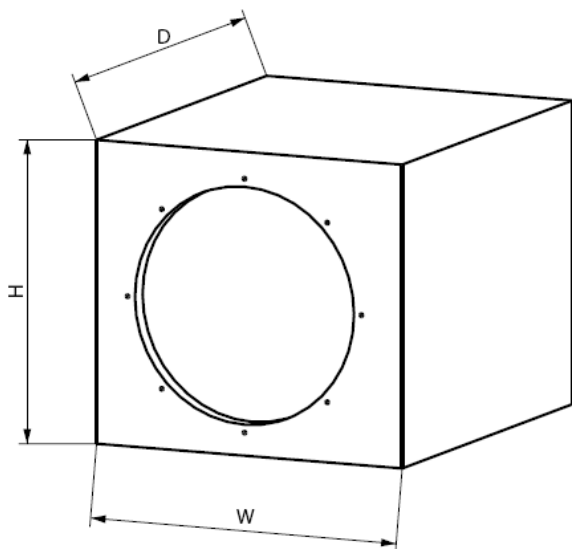
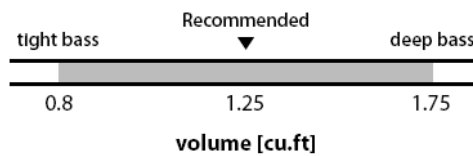
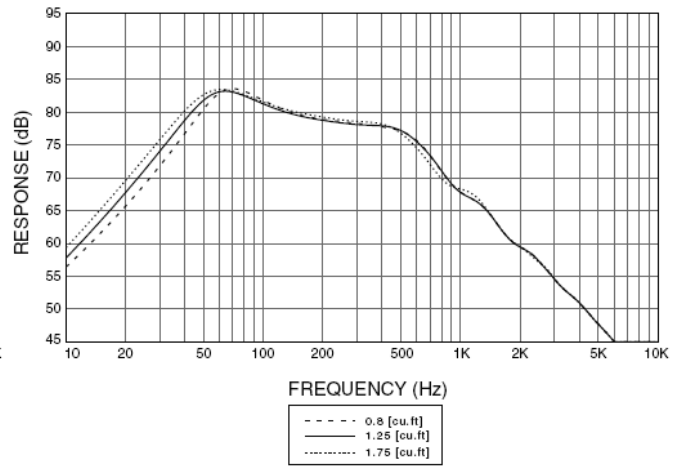
Recommended Enclosures

SEALED

KFC-XW1224D



KFC-XW1222D



* W, H, D : External Dimensions

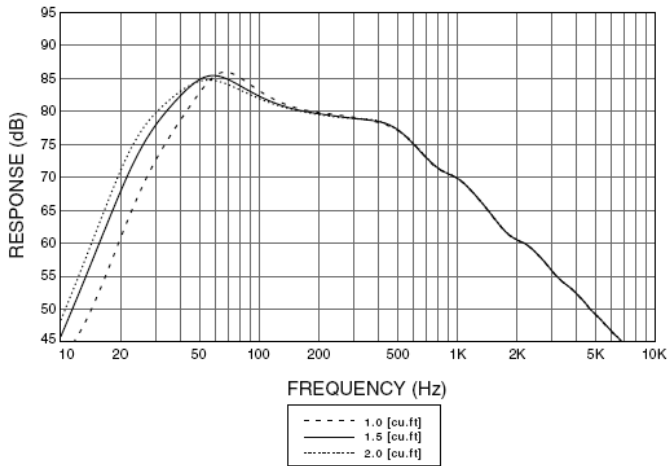
Type	Inner Volume	W	H	D	Mounting Hole	Displacement
SEALED	1.25 cft (35.4 Liter)	375 mm (14-3/4")	370 mm (14-9/16")	355 mm (14")	282 mm (11-1/8")	0.11 cu.ft

Use 19mm (3/4 inch) thick Medium Density Fiberboard (MDF) or High Density Particleboard.

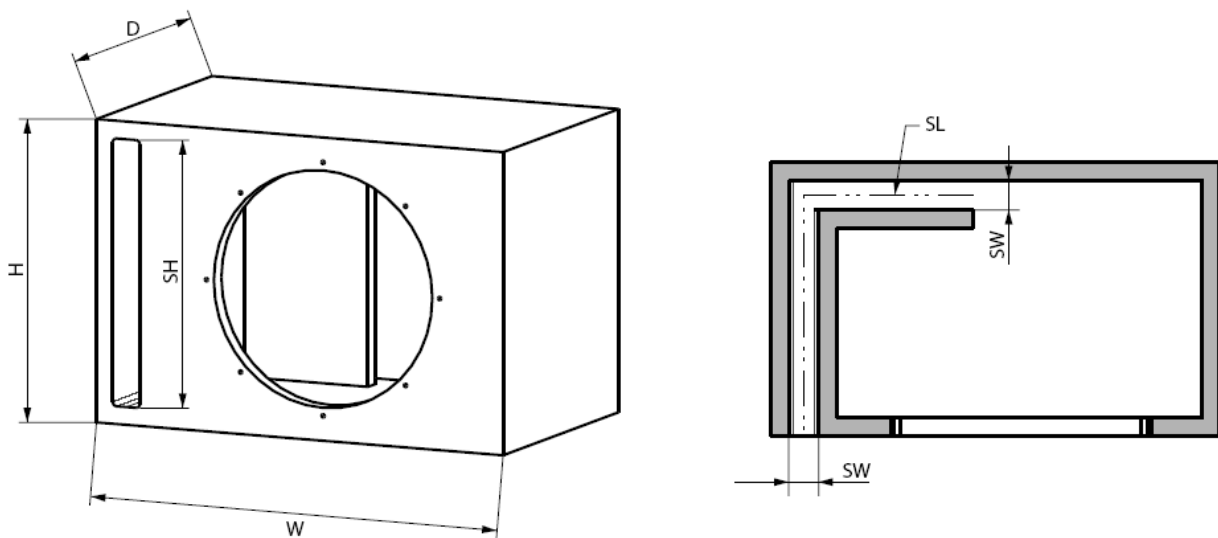
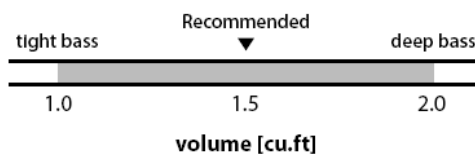
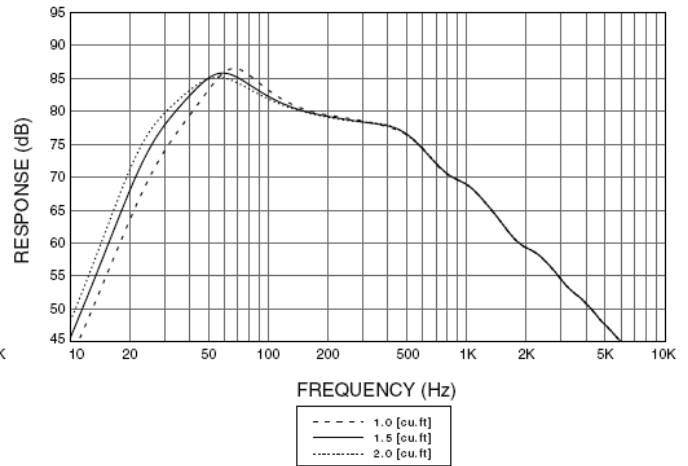
Recommended Enclosures

PORTED

KFC-XW1224D



KFC-XW1222D



* W, H, D : External dimensions

Type	Inner Volume	W	H	D	Mounting Hole	SW	SH	SL	Displacement
PORTED	1.5 cft (42.5 Liter)	507 mm (19-15/16")	360 mm (14-3/16")	320 mm (12-5/8")	282 mm (11-1/8")	35 mm (1-3/8")	322 mm (12-11/16")	480 mm (18-7/8")	0.11 cu.ft

Use 19mm (3/4 inch) thick Medium Density Fiberboard (MDF) or High Density Particleboard.